



K68是用於拉杆的導向環。

產品優勢

- 易安裝
- 中型承載能力
- 間隙K有利於防止液壓動態壓力
- 工作過程中，尺寸穩定性強
- 倒角邊緣防止壓進溝槽
- 尺寸廣泛
- 經濟的導向解決方案

用途

工程機械，起重機，注塑機，農業機械，輕型到中型負載油缸

表面光潔度		Ra	Rmax
滑動表面	Ød	≤0.4 µm	≤3.2 µm
溝槽底部	ØD	≤2.5 µm	≤10 µm
溝槽側面	B	≤3.2 µm	≤16 µm

安裝

用手即可容易地安裝至溝槽。非常重要是安裝工具必須是軟質材料並且沒有銳角，在安裝之前，此密封件必須塗上系統用壓力油。

注意

在油缸的設計階段，K68導向環應該放在直接與介質接觸的地方。K68不適合用於乾燥的工作環境。隨著溫度的上升，表面接觸壓力值可能會下降。

材料

代碼

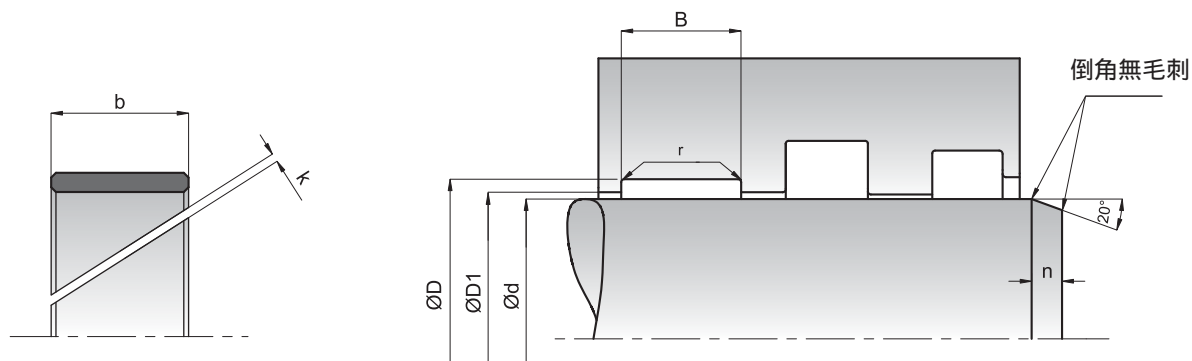
聚甲醛特殊填充物

PM9902

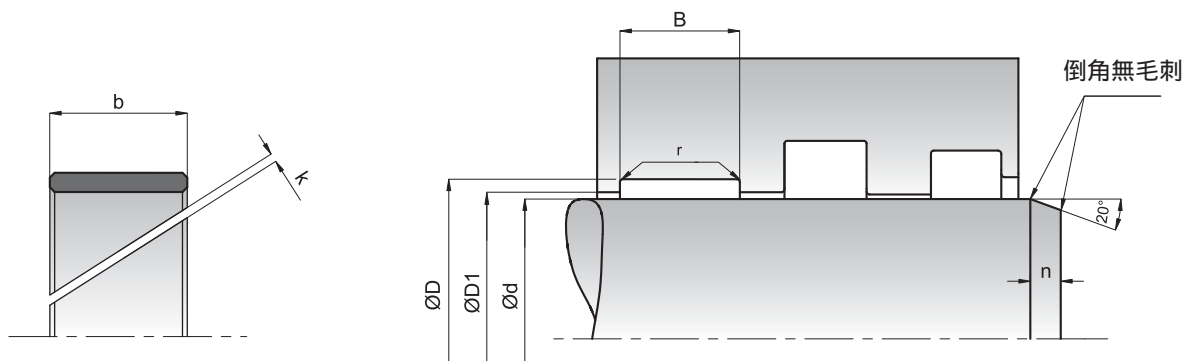
操作條件

介質	礦物油 (DIN 51524)	水基傳動液和 HFB乳化液	HFC
溫度	-30°C +125°C	+5°C +50°C	-30°C +40°C
接觸壓力	≤40 N/mm ²	≤40 N/mm ²	≤40 N/mm ²
速度	≤1.0 m/sec	≤1.0 m/sec	≤1.0 m/sec

注意：以上條件數據均為最大值，不能全部同時達到。



KASTAŞ NO	d (f8)	D (H8)	b	B (-0/+0.2)	D1 (H9)	r	k
K68-016	16	20	9.4	9.6	16.4	0.2	1
K68-016/1	16	19	5.8	6	16.4	0.2	1
K68-018	18	22	9.4	9.6	18.4	0.2	1
K68-020	20	24	9.4	9.6	20.4	0.2	1
K68-020/2	20	26	9.5	9.7	20.4	0.2	1
K68-020/1	20	26	3.8	4	20.4	0.2	1
K68-022	22	26	9.4	9.6	22.5	0.2	1
K68-022/1	22	25	4	4.2	22.5	0.2	1
K68-025	25	31	9.4	9.6	25.5	0.2	1
K68-025/1	25	29	9.4	9.6	25.5	0.2	1
K68-025/2	25	30	5.4	5.6	25.5	0.2	1
K68-026	26	32	9.8	10	26.5	0.2	1
K68-028	28	32	9.5	9.7	28.5	0.2	1
K68-028/2	28	33	6.2	6.4	28.5	0.2	1
K68-028/3	28	33	5.5	5.7	28.5	0.2	1
K68-028/4	28	34	9.5	9.7	28.5	0.2	1
K68-030	30	35	15	15.2	30.5	0.2	1
K68-030/1	30	34	9.5	9.7	30.5	0.2	1
K68-030/2	30	36	9.3	9.5	30.5	0.2	1
K68-030/3	30	35	9.5	9.7	30.5	0.2	1
K68-030/4	30	35	8	8.2	30.5	0.2	1
K68-030/5	30	35	5.4	5.6	30.5	0.2	1
K68-032	32	36	9.5	9.7	32.5	0.2	1
K68-032/1	32	38	9.4	9.6	32.5	0.2	1
K68-035	35	40	15	15.2	35.5	0.2	1
K68-035/1	35	39	9.5	9.7	35.5	0.2	1
K68-035/2	35	40	9.7	9.9	35.5	0.2	1
K68-035/3	35	41	9.4	9.6	35.5	0.2	1
K68-035/4	35	40	5.4	5.6	35.5	0.2	1
K68-035/6	35	40	9.5	9.7	35.5	0.2	1
K68-035/8	35	39	6.3	6.5	35.5	0.2	1
K68-036	36	40	9.5	9.7	36.5	0.2	1
K68-036/1	36	42	9.6	9.8	36.5	0.2	1
K68-036/3	36	41	5.4	5.6	36.5	0.2	1
K68-036/2	36	41	9.5	9.7	36.5	0.2	1
K68-038/2	38	42	4	4.2	38.5	0.2	1
K68-038	38	42	9.4	9.6	38.5	0.2	1
K68-040	40	45	15	15.2	40.5	0.2	1.5
K68-040/1	40	44	9.5	9.7	40.5	0.2	1.5
K68-040/2	40	46	9.6	9.8	40.5	0.2	1.5
K68-040/3	40	45	9.5	9.7	40.5	0.2	1.5
K68-040/8	40	44	6.3	6.5	40.5	0.2	1.5
K68-040/5	40	45	4.8	5	40.5	0.2	1.5
K68-040/6	40	45	5.4	5.6	40.5	0.2	1.5
K68-040/4	40	45	20	20.2	40.5	0.2	1.5
K68-040/7	40	46	12.8	13	40.5	0.2	1.5
K68-040/9	40	45	9.6	9.8	40.5	0.2	1.5
K68-044.45	44.45	50.8	19.05	19.25	44.95	0.2	1.5
K68-045	45	50	15	15.2	45.5	0.2	1.5
K68-045/1	45	51	9.5	9.7	45.5	0.2	1.5



KASTAŞ NO	d (f8)	D (H8)	b	B (-0/+0.2)	D1 (H9)	r	k
K68-045/2	45	50	9.5	9.7	45.5	0.2	1.5
K68-045/3	45	51	12.5	12.7	45.5	0.2	1.5
K68-045/5	45	50	5.4	5.6	45.5	0.2	1.5
K68-048	48	54	9.6	9.8	48.5	0.2	1.5
K68-050	50	55	15	15.2	50.5	0.2	1.5
K68-050/1	50	56	9.5	9.7	50.5	0.2	1.5
K68-050/2	50	56	12.5	12.7	50.5	0.2	1.5
K68-050/3	50	55	8	8.2	50.5	0.2	1.5
K68-050/4	50	55	20	20.2	50.5	0.2	1.5
K68-050/5	50	55	9.5	9.7	50.5	0.2	1.5
K68-050/6	50	55	5.4	5.6	50.5	0.2	1.5
K68-050.8	50.8	57.15	19.05	19.25	51.3	0.2	1.5
K68-055	55	60	15	15.2	55.5	0.2	2
K68-055/1	55	61	9.5	9.7	55.5	0.2	2
K68-055/2	55	60	8	8.2	55.5	0.2	2
K68-055/3	55	60	20	20.2	55.5	0.2	2
K68-055/4	55	61	12.5	12.7	55.5	0.2	2
K68-055/5	55	60	9.5	9.7	55.5	0.2	2
K68-055/6	55	60	5.4	5.6	55.5	0.2	2
K68-055/7	55	60	5.6	5.8	55.5	0.2	2
K68-055/8	55	60	9.7	9.9	55.5	0.2	2
K68-056	56	62	12.5	12.7	56.5	0.2	2
K68-056/1	56	60	9.6	9.8	56.5	0.2	2
K68-056/2	56	61	9.5	9.7	56.5	0.2	2
K68-056/3	56	60	7.9	8.1	56.5	0.2	2
K68-056/4	56	62	20	20.2	56.5	0.2	2
K68-058	58	63	9.5	9.7	58.5	0.2	2
K68-060	60	65	15	15.2	60.5	0.2	2
K68-060/1	60	66	12.5	12.7	60.5	0.2	2
K68-060/2	60	65	9.5	9.7	60.5	0.2	2
K68-060/8	60	64	10	10.2	60.5	0.2	2
K68-060/7	60	64	19.3	19.5	60.5	0.2	2
K68-060/6	60	65	5.3	5.5	60.5	0.2	2
K68-060/4	60	65	8	8.2	60.5	0.2	2
K68-060/3	60	65	20	20.2	60.5	0.2	2
K68-060/5	60	66	9.7	9.9	60.5	0.2	2
K68-063	63	69	12.5	12.7	63.5	0.2	2.5
K68-063/2	63	67	6.3	6.5	63.5	0.2	2.5
K68-063/1	63	68	9.5	9.7	63.5	0.2	2.5
K68-063/4	63	69	30	30.5	63.5	0.2	2.5
K68-065	65	70	15	15.2	65.5	0.2	2.5
K68-065/1	65	71	12.5	12.7	65.5	0.2	2.5
K68-065/2	65	70	5.4	5.6	65.5	0.2	2.5
K68-065/3	65	70	6.8	7	65.5	0.2	2.5
K68-067	67	72	5.4	5.6	67.5	0.2	2.5
K68-069.85	69.85	76.2	19.05	19.25	70.05	0.2	2.5
K68-070	70	75	15	15.2	70.5	0.2	2.5
K68-070/1	70	76	12.5	12.7	70.5	0.2	2.5
K68-070/2	70	75	5.4	5.6	70.5	0.2	2.5

KASTAŞ NO	d (f8)	D (H8)	b	B (-0/+0.2)	D1 (H9)	r	k
K68-070/5	70	75	9.5	9.7	70.5	0.2	2.5
K68-070/4	70	76	10	10.2	70.5	0.2	2.5
K68-070/3	70	76	25	25.5	70.5	0.2	2.5
K68-072/1	72	78	12.3	12.5	72.5	0.2	2.5
K68-075	75	80	15	15.2	75.5	0.2	2.5
K68-075/1	75	81	12.5	12.7	75.5	0.2	2.5
K68-075/2	75	80	8	8.2	75.5	0.2	2.5
K68-075/3	75	80	9.5	9.7	75.5	0.2	2.5
K68-075/4	75	80	5.4	5.6	75.5	0.2	2.5
K68-080	80	85	15	15.2	80.5	0.2	2.5
K68-080/1	80	86	12.5	12.7	80.5	0.2	2.5
K68-080/3	80	85	9.5	9.7	80.5	0.2	2.5
K68-080/2	80	84	9.3	9.5	80.5	0.2	2.5
K68-080/5	80	85	19.8	20	80.5	0.2	2.5
K68-080/4	80	86	24.8	25.3	80.5	0.2	2.5
K68-080/7	80	86	30	30.5	80.5	0.2	2.5
K68-085	85	90	15	15.2	85.5	0.2	2.5
K68-085/1	85	91	12.5	12.7	85.5	0.2	2.5
K68-085/2	85	90	5.5	5.7	85.5	0.2	2.5
K68-085/3	85	90	9.7	9.9	85.5	0.2	2.5
K68-086	86	92	12.5	12.7	86.5	0.2	2.5
K68-090	90	95	15	15.2	90.5	0.2	2.5
K68-090/1	90	96	12.5	12.7	90.5	0.2	2.5
K68-090/2	90	95	9.5	9.7	90.5	0.2	2.5
K68-090/4	90	94	15	15.2	90.5	0.2	2.5
K68-090/3	90	95	5.6	5.8	90.5	0.2	2.5
K68-090/7	90	96	30	30.5	90.5	0.2	2.5
K68-095	95	100	15	15.2	95.5	0.2	2.5
K68-095/1	95	101	12.5	12.7	95.5	0.2	2.5
K68-095/2	95	100	9.5	9.7	95.5	0.2	3.5
K68-095/3	95	100	5.4	5.6	95.5	0.2	3.5
K68-100	100	105	15	15.2	100.5	0.2	3.5
K68-100/1	100	106	12.5	12.7	100.5	0.2	3.5
K68-100/2	100	104	15	15.2	100.5	0.2	2.5
K68-100/3	100	105	9.7	9.9	100.5	0.2	3.5
K68-104	104	110	10	10.2	104.6	0.2	3.5
K68-105	105	110	15	15.2	105.6	0.2	3.5
K68-105/1	105	110	8	8.2	105.6	0.2	3.5
K68-105/2	105	110	9.5	9.7	105.6	0.2	3.5
K68-110	110	116	12.5	12.7	110.6	0.2	3.5
K68-110/1	110	115	9.5	9.7	110.6	0.2	3.5
K68-110/2	110	115	20	20.2	110.6	0.2	3.5
K68-115	115	120	15	15.2	115.6	0.2	3.5
K68-115/1	115	121	12.5	12.7	115.6	0.2	3.5
K68-119	119	125	15	15.2	119.6	0.2	3.5
K68-120	120	125	15	15.2	120.6	0.2	3.5
K68-120/1	120	126	12.5	12.7	120.6	0.2	3.5
K68-120/2	120	125	9.5	9.7	120.6	0.2	3.5
K68-125	125	131	12.5	12.7	125.6	0.2	3.5
K68-125/1	125	130	15	15.2	125.6	0.2	3.5
K68-125/2	125	130	7	7.2	125.6	0.2	3.5
K68-130	130	135	15	15.2	130.6	0.2	3.5
K68-130/1	130	136	12.5	12.7	130.6	0.2	3.5
K68-135	135	140	9.5	9.7	135.6	0.2	3.5
K68-135/1	135	140	15	15.2	135.6	0.2	3.5
K68-140	140	145	15	15.2	140.6	0.2	3.5
K68-140/1	140	146	12.5	12.7	140.6	0.2	3.5
K68-146	146	150	10	10.2	146.6	0.2	3.5
K68-150	150	155	15	15.2	150.6	0.2	3.5
K68-150/1	150	156	12.5	12.7	150.6	0.2	3.5
K68-150/4	150	160	34.8	35.3	150.6	0.2	3.5
K68-150/5	150	155	24.8	25.3	150.6	0.2	3.5
K68-150/6	150	156	19	19.2	150.6	0.2	3.5
K68-155	155	160	15	15.2	155.6	0.2	3.5
K68-160	160	165	15	15.2	160.6	0.2	3.5

